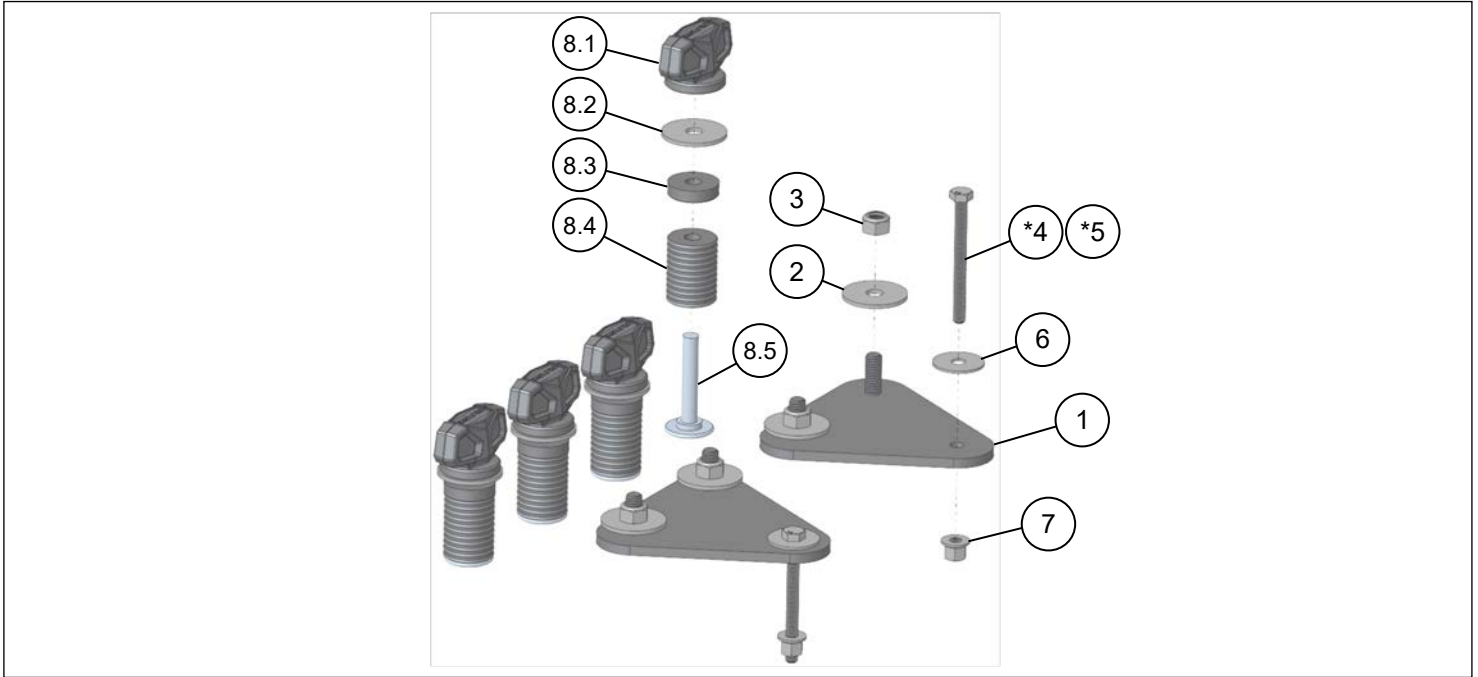


KIT CONTENTS



ITEM	QTY	PART DESCRIPTION
1	2	Mounting Plate
2	4	M8 Oversized Washer
3	4	M8 Locknut
4	2	M6 x 65mm Hex Bolt (*2017+ Sportsman 850 and 1000 Models - excluding High Lifter editions)
5	2	M6 x 120mm Hex Bolt (*2021+ Sportsman 450 and 570 Models)
6	2	M6 Oversized Washer
7	2	M6 Flanged Locknut
8	4	Lock & Ride Anchor Assembly
8.1	4	T-Knob
8.2	4	M8 Oversized Washer
8.3	4	Nylon Spacer
8.4	4	Rubber Expansion Bushing
8.5	4	Threaded Post

BEFORE YOU BEGIN

- Verify all parts and tools are accounted for. If parts are missing, do not return to the store. Please contact Kolpin customer service department at (877) 956-5746 or (763) 478-5800 or email customerservice@kolpin.com.
- Follow all steps correctly and in the sequence described.
- Keep these instructions for future reference or for informational requests.
- To facilitate installation, make sure that your vehicle is clean and free of debris.





WARNING



NEVER operate with a passenger. Passengers affect balance & steering and increase risk of losing control! Improper use of this product can result in SEVERE INJURY or DEATH!

MOUNTING INSTRUCTIONS

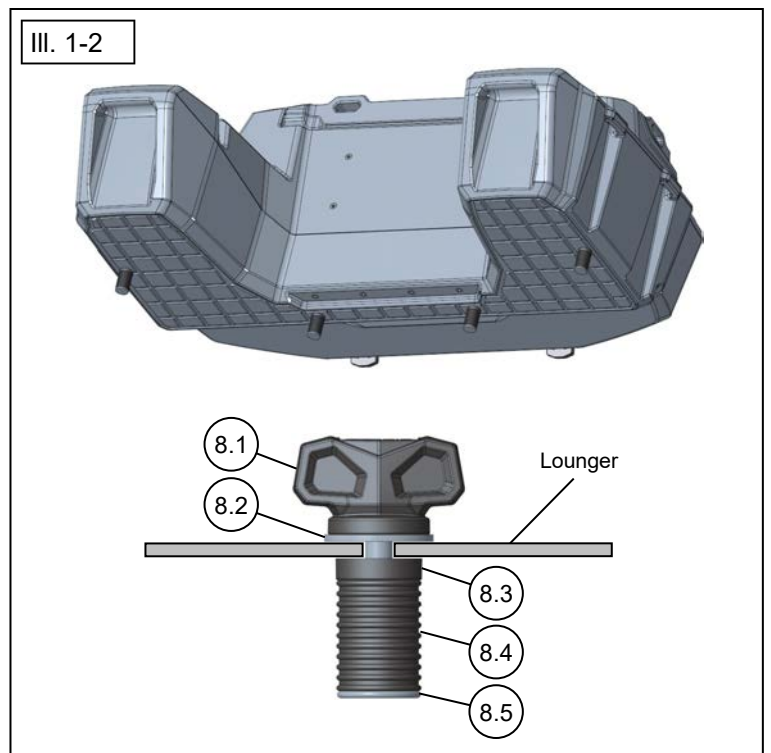
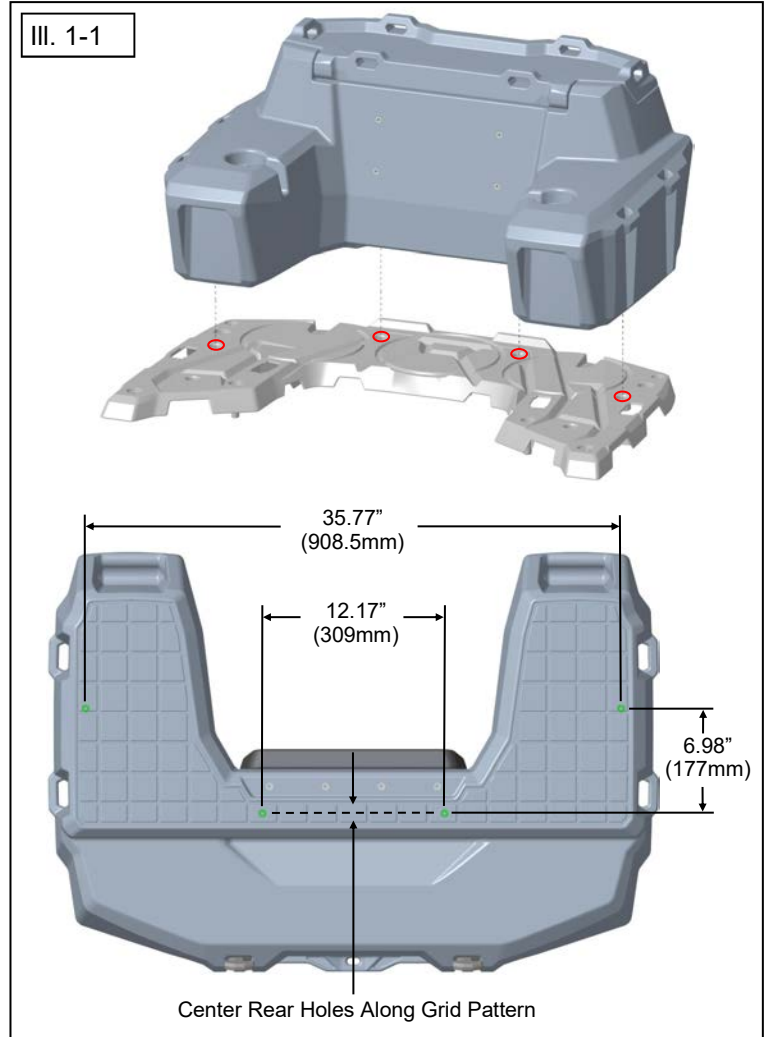
1. We suggest removing the OEM rear rack from the ATV to make installation and alignment easier. Rack extenders will need to be removed if they interfere with the Kolpin Lounger.

2. Using the OEM rack as a template, mark the four Lock & Ride hole locations onto the bottom of the Lounger or use the dimensions provided. The two Lock & Ride holes on the rear must be centered front-to-back on the grid pattern as shown, so the Lock & Ride T-Knobs [Item 8.1] fit inside the Lounger with enough clearance to rotate. See III. 1-1.

3. Using a 3/8" drill bit, drill the four Lock & Ride holes through the bottom of the Lounger. See III. 1-1.

4. Insert the four Lock & Ride anchors through the bottom of the Kolpin Lounger.

5. Place Lounger onto OEM Rack to check that the Lock & Ride Anchors align with the Lock & Ride holes on the rack, but do not tighten. See III. 1-2.



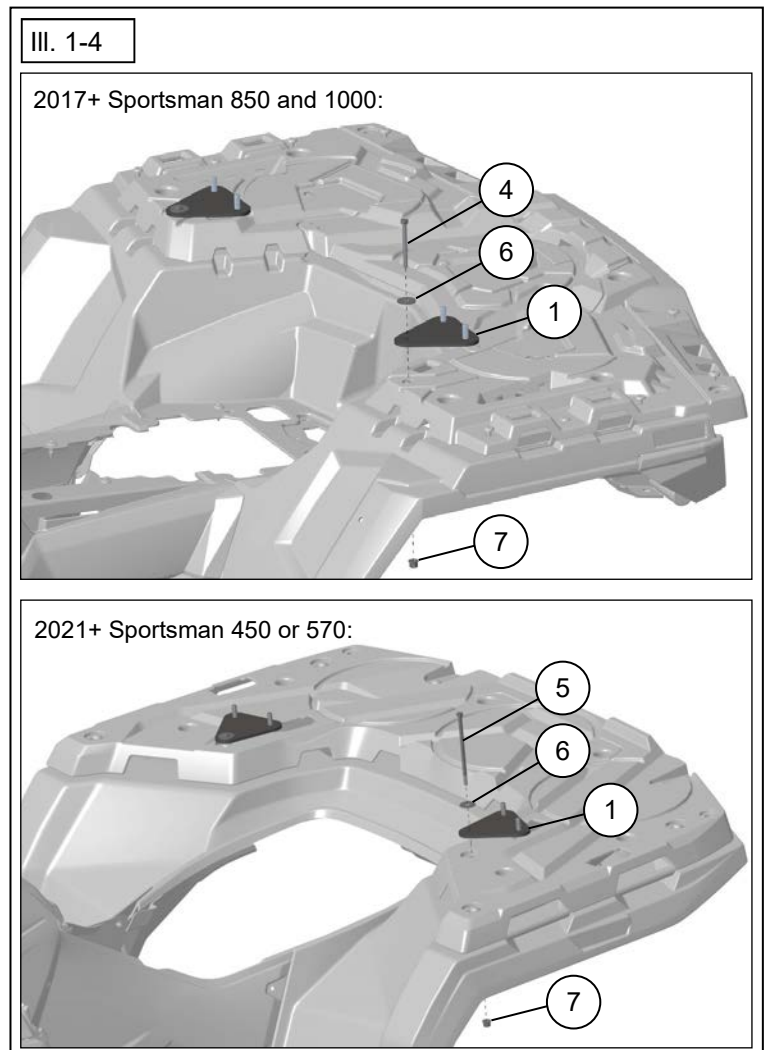
6. For 2017+ Sportsman 850 and 1000 ATVs (excluding High Lifter editions), drill through the two screw bosses that are used to mount the rack onto the rear fenders using a 1/4" drill bit. Be sure to keep the drill bit centered while drilling. See III. 1-3.

2021+ Sportsman 450 or 570 ATVs do not require drilling. Proceed to next step.

7. Re-install OEM rack onto vehicle. Do not re-install the two OEM mounting screws that are used in the next step.

8. Attach the Mounting Plate [Item 1] to the OEM Rack, as shown using the correct bolt length for your specific vehicle. The hardware provided will replace the original OEM rack mounting screw. See III. 1-4.

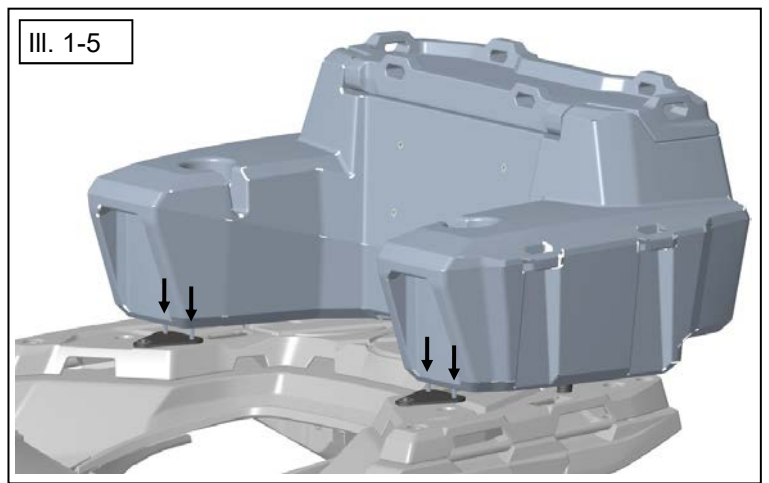
9. Place the Lounger back onto the rack and into the four Lock & Ride holes, but do not tighten.



10. Lift the front of the Lounger up and align the Mounting Plates [Item 1] under the Lounger so the threaded studs contact the bottom with enough clearance for the M8 Oversized Washers [Item 2] to sit flush inside the bottom of the Lounger.

Mark the location where the threaded studs contact the bottom of the Lounger. See Ill. 1-5.

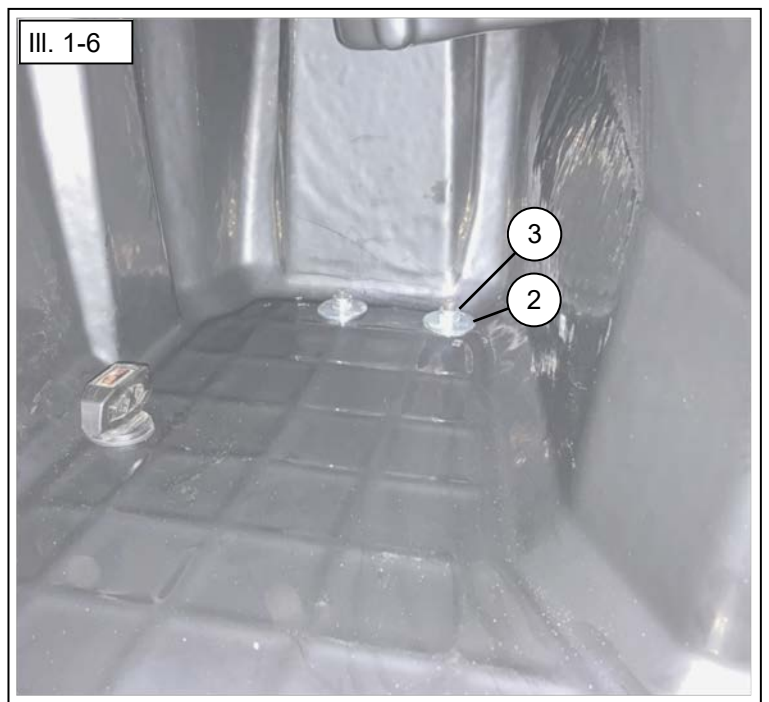
11. Using a 3/8" drill bit, drill the four holes for the threaded studs on the Mounting Plate [Item 1] to pass through.



12. Install the M8 Oversized Washer [Item 2] and M8 Locknut [Item 3] onto the threaded studs inside the Lounger and tighten. See Ill. 1-6.

13. Tighten all four Lock & Ride anchors inside the Lounger by pushing down and turning clockwise.

14. Check hardware and Lock & Ride anchors frequently and before each ride. Re-tighten if necessary.



USE AND CARE INFORMATION:

- Check the accessory mounts frequently and retighten if necessary.
- When this accessory becomes dirty, rinse thoroughly with cool water to remove loose dirt, then wipe with a clean cloth or sponge.
- Never use petroleum solvents such as gasoline, thinner, benzene, acid or alkaline cleaners.
- For additional assistance, please contact Kolpin customer service department at (877) 956-5746 or (763) 478-5800 or email customerservice@kolpin.com

ONE YEAR LIMITED WARRANTY

For the period of one (1) year from the purchase date, Kolpin will replace for the original purchaser, free of charge, any part or parts found upon examination by Kolpin to be defective in material, workmanship, or both.

All transportation costs incurred submitting product to Kolpin for warranty consideration must be borne by the purchaser. If Kolpin determines that the product must be returned to the factory for credit, please call 1-877-956-5746 for a Return Merchandise Authorization (RMA) number and shipping instructions.

This warranty does not apply to parts that have been damaged by accident, alteration, abuse, improper maintenance, normal wear, or other causes beyond the manufacturer's control. In order to protect you and your ATV, certain parts of the accessory system and/or hardware are designed to fail when the equipment is over-stressed. Parts that are lost due to loosening and improper maintenance are not covered under warranty. This warranty does not cover removal or reinstallation labor fees of the accessory system and related components. Most hardware is general in nature and is easily obtained locally. Be sure to replace with minimum metric class 8.8 specification.