



Front Trail Box Installation Instructions

Stock No.: 93101

Please read and understand these instructions completely before installation to avoid injury to yourself or damage to the vehicle or accessory.

Dealer: These instructions contain important information for future reference and must be given to the customer at time of purchase or upon completion of installation.

Parts List:

ITEM	PART NAME	PART NO.	DESCRIPTION (60-93101)	QTY.
1	Box	100-93101	Front Trail Box assembly	1
2	U-Bolt	72-0001	1/4" x 1-1/8" x 2" U-bolt, zinc-plated	2
3	U-Bolt Plate	72-0002	2" x 3/4" U-bolt plate, zinc-plated	2
4	Washer	76-0035	1/4" bonded sealing washer, zinc-plated	4
5	Washer	76-0041	1/4" lock washer, zinc-plated	4
6	Nut	77-0017	1/4"-20 finish nut, zinc plated	4
7	Thread Cap	56-0008	Black thread caps	4

Please Note: The Front Trail Box was designed to fit most ATV rack systems. These particular instructions demonstrate mounting this accessory on a tubular-type rack system. Because rack systems may vary in size and design, use your best judgement in determining where to locate the mounting hardware in order to provide a secure and stable installation.

- 1) Position your Front Trail Box on the front rack of your vehicle in your desired location and center as indicated in **Image "A"**.
- 2) Once you have the Front Trail Box positioned properly, use a pencil to mark two mounting points. Do this by scribing a line at these locations on each side of the rack as indicated in **Image "B"**.
- 3) After you have marked the two mounting locations, remove the Front Trail Box and carefully lay it upside-down on a level surface. Center one of the supplied U-bolt plates on the lines you have just marked. Using the U-bolt plate as a template, mark the two hole locations with a pencil as indicated in **Image "C"**. Repeat this step.

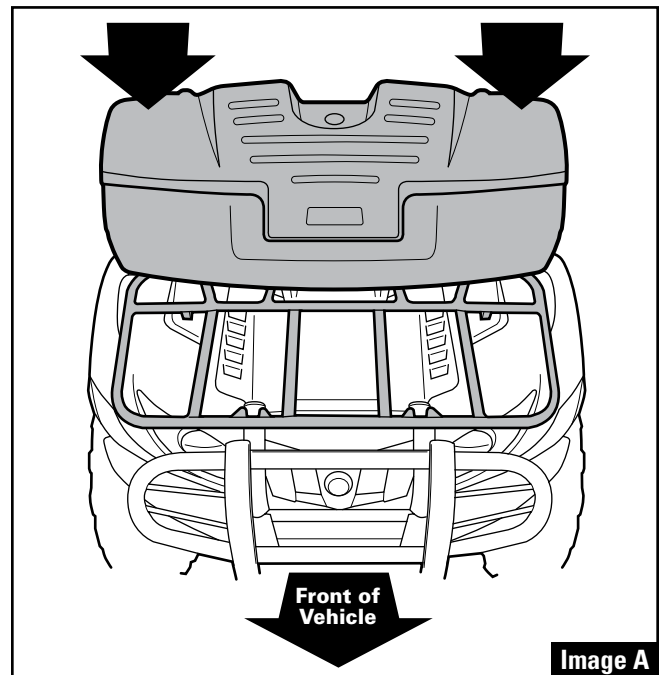


Image A

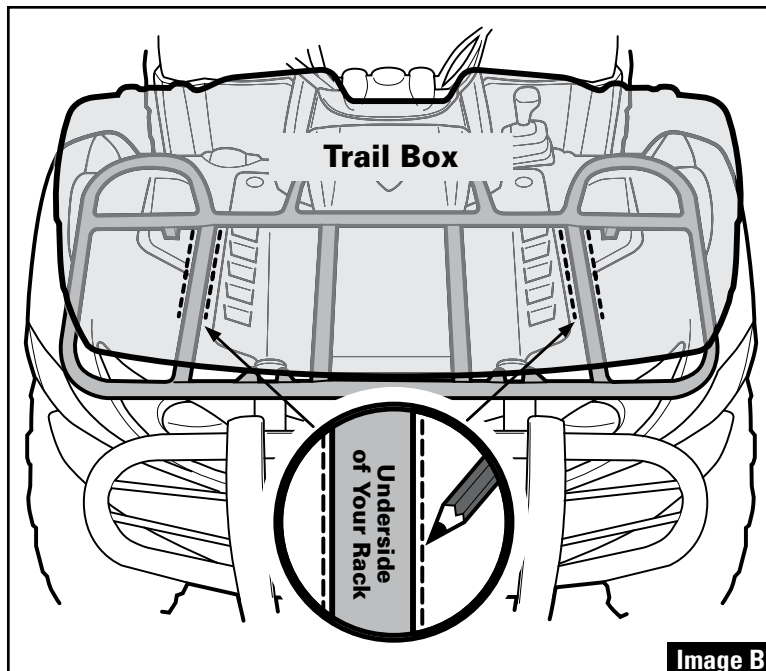


Image B

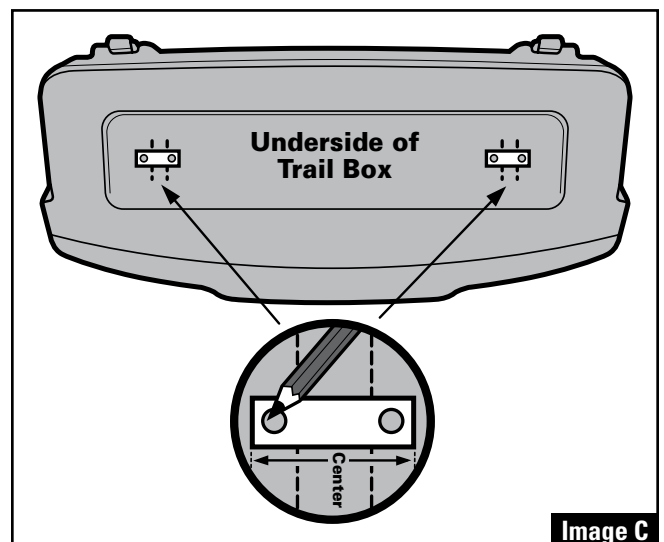


Image C

- 4) Once you have accurately marked both hole locations at both mounting points, carefully use a 5/16" bit to drill all four holes as indicated in **Image "D"**.
- 5) Place the Front Trail Box back onto your vehicle's rack while feeding the supplied 1/4" x 1-1/8" x 2" U-bolts around the rack and through the holes you have just drilled in the bottom of the box as indicated in **Image "E"**. Repeat this step.
- 6) Place the supplied 1/4" bonded sealing washers over the U-bolts by threading them over both ends as indicated in **Image "F"**. Repeat this step.
- 7) Finish mounting the Front Trail Box by sliding the supplied 2" x 3/4" U-bolt plate over all four U-bolts and fasten with the 1/4" lock washers and 1/4"-20 nuts as indicated in **Image "G"**. Repeat this step in all four mounting locations. **Do not overtighten.**
- 8) Slide the thread caps over the U-bolts as indicated in **Image "H"**. Repeat this step.
- 9) **Applying Reflectors:** Apply the supplied adhesive reflectors as indicated in **Image "I"**. Do so by thoroughly cleaning the reflector recesses on the Front Trail Box. Once completely dry, peel the protective paper off of the reflectors and carefully position them on the box. Apply pressure to the reflector until the adhesive has set. Repeat on the opposite side.
- 10) **Maintenance and Care:** Tighten all hardware after first use and periodically thereafter.

⚠ WARNING Failure to follow these installation instructions completely may void any warrantable components and result in property damage or personal injury. NEVER operate or transport ATV with unsecured cargo.

For additional assistance, please contact our customer service department at:
 Kolpin Outdoors, Inc. | 205 N. Depot Street | Fox Lake, WI 53933
 1.877.956.5746 | customerservice@kolpin.com

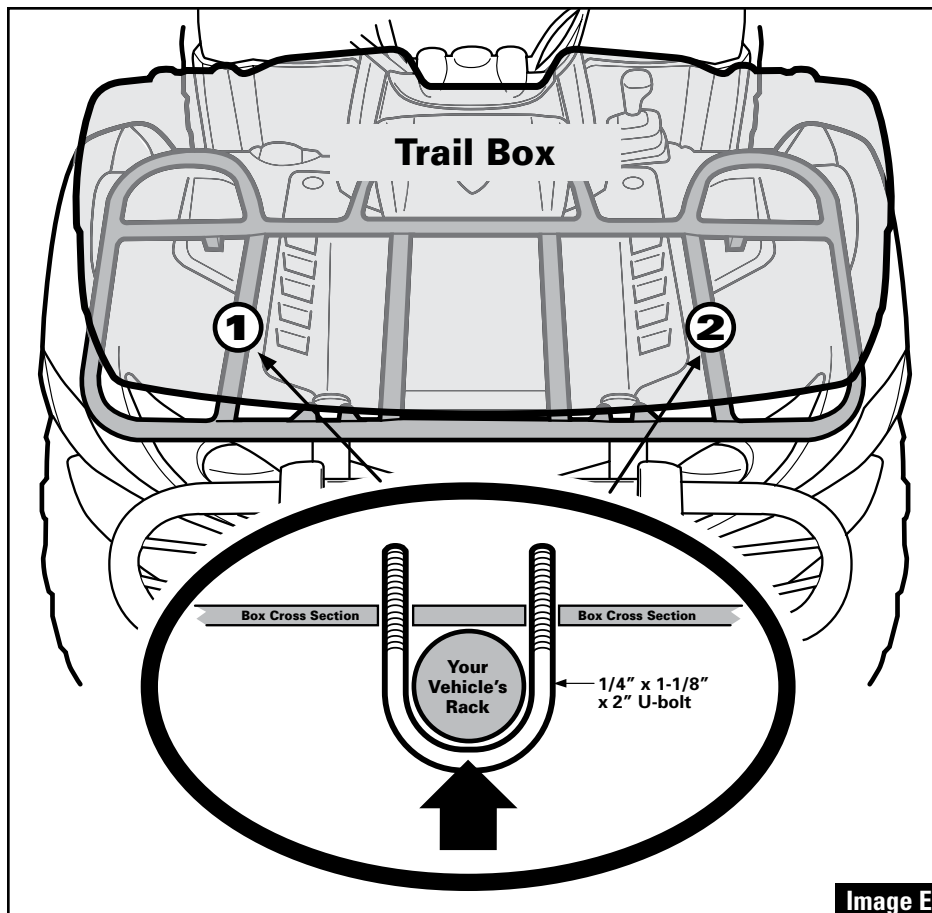
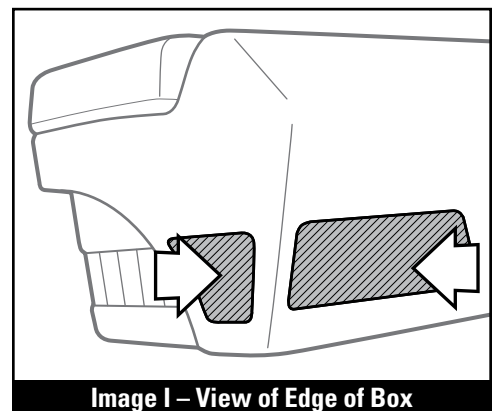
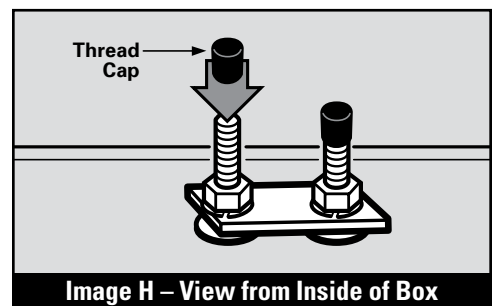
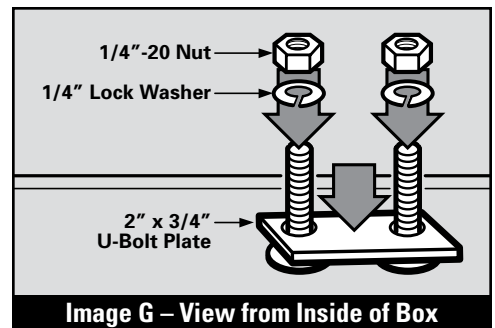
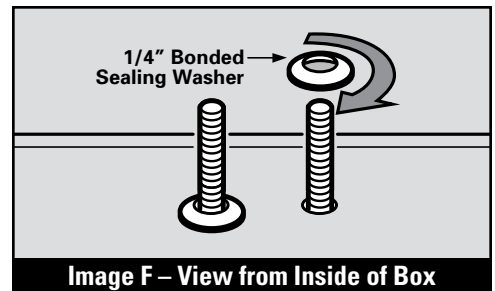
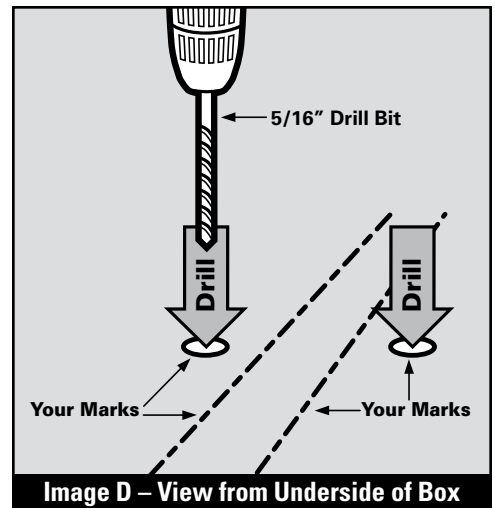


Image E

Image I - View of Edge of Box