



POLY BLADE KIT

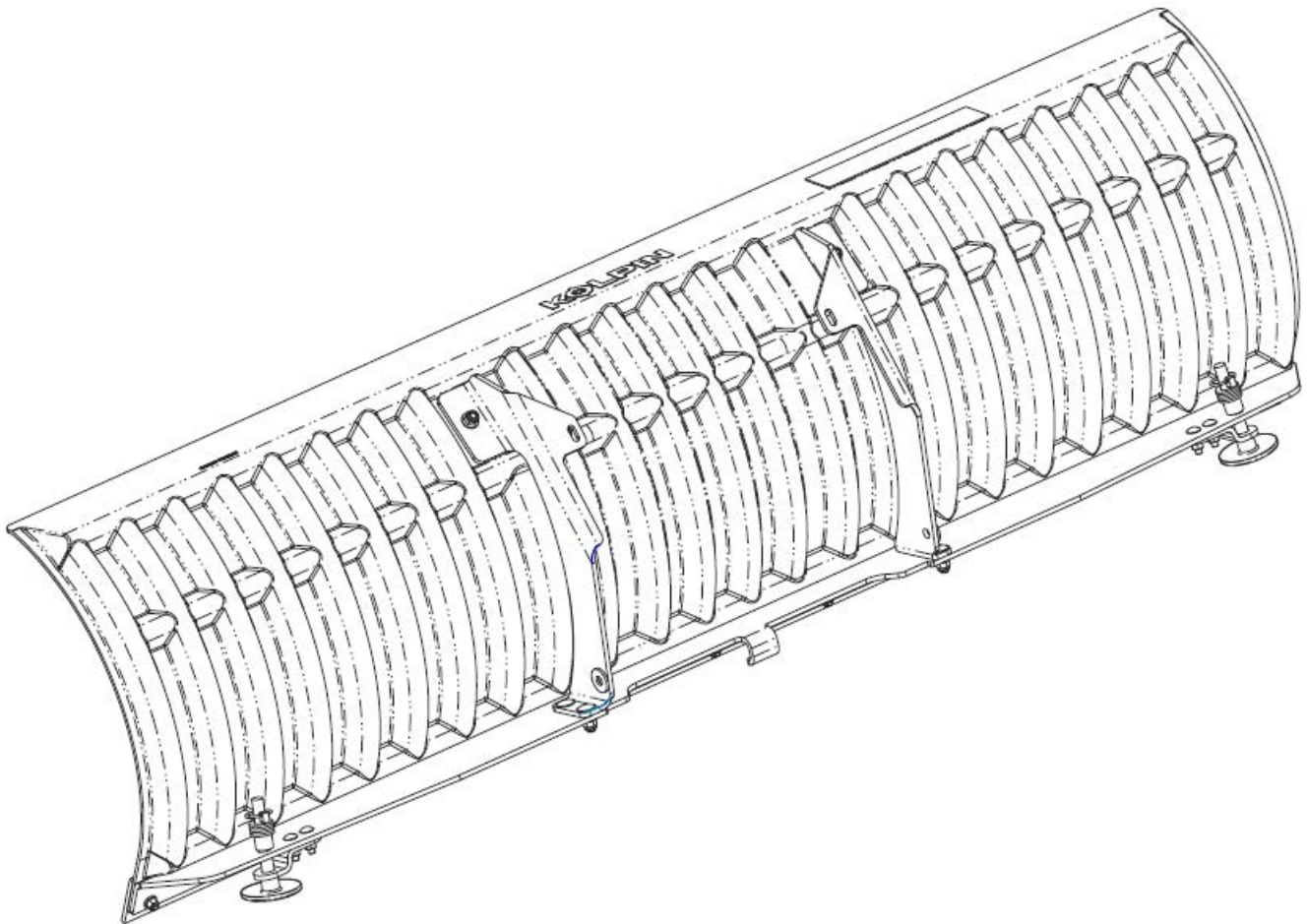
P/N 31-2060 / 31-2072 / 31-2084

ASSEMBLY / SPARE PARTS MANUAL

Application

PLOW PUSH FRAME NO. 33-0000, 33-0070 or 35-0070

Before you begin, please read these instructions and check to be sure all parts and tools are accounted for. The following instructions contain details required to install and service the contents of this kit.



OPERATING INSTRUCTIONS

Congratulations! You've just purchased one of the industry's top plow system component. The Poly Blade works great for all types of plowing. With proper care and maintenance, your plow blade will last for many years! The 60" (152 cm) / 72" (183 cm) / 84" (213 cm) Blade Assembly allows for quality snow moving capacity and snow roll-over characteristics. Additionally, this blade will handle light to medium-duty summer landscape work.

| |
|--|
| NOTICE |
| Plow operation requires additional components for operation: <i>Kolpin Plow Push Frame, Winch Kit, ATV / UTV Plow Mount</i> * |
| <i>*These components may be specific to your vehicle.</i> |



Please read and understand all assembly instructions, notices and warnings before assembling and operating your plow system.

Follow these guidelines to ensure satisfactory operation:

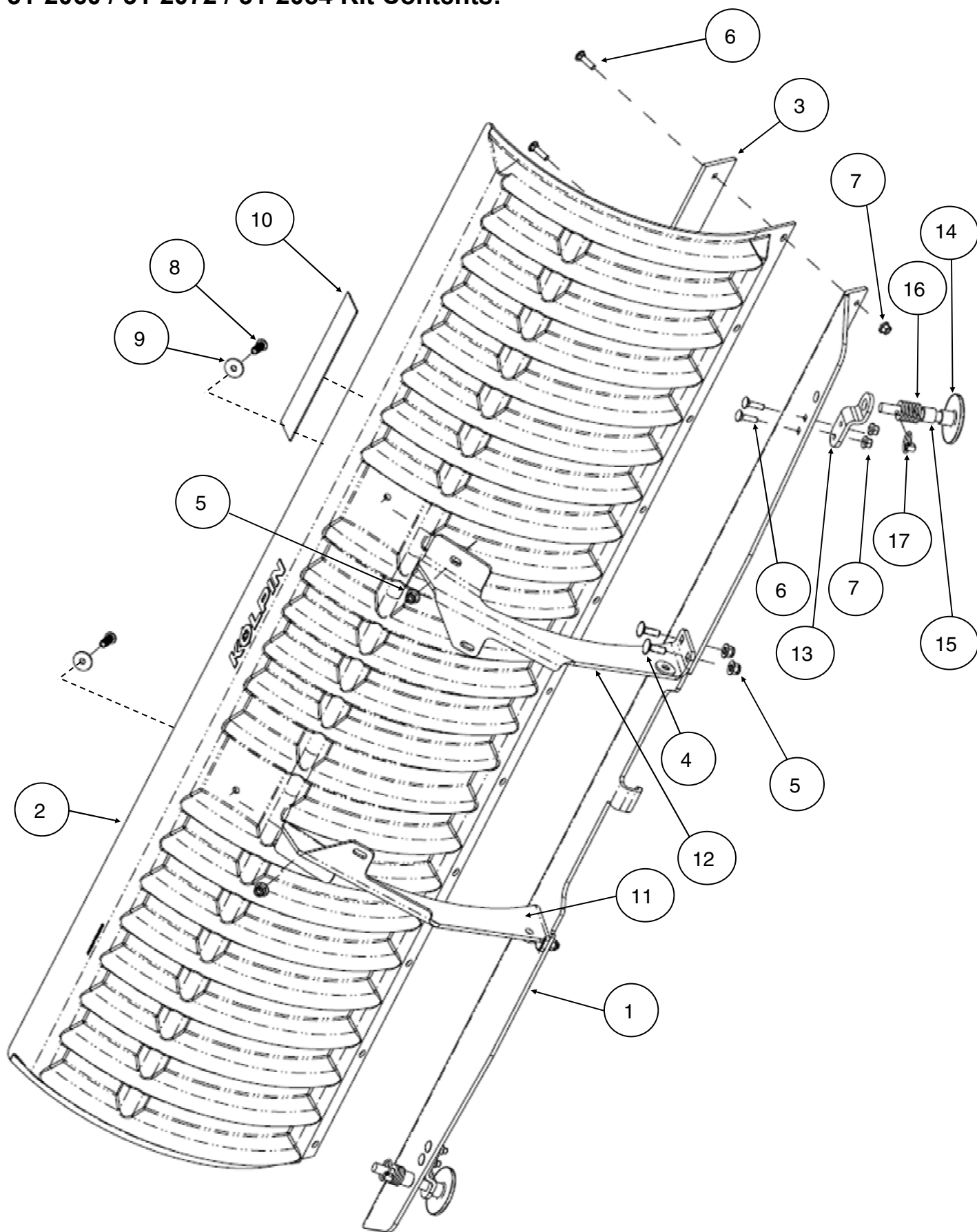
- Read this manual and your ATV/ UTV operators manual before use.
- Periodically check for wear and tightness of all fasteners. Replace or re-torque fasteners as necessary.
- Before first use, set plow in the furthest right or left angled position to check for clearance between the plow and front tires.
- Operate with extreme caution on slopes and rough terrain. Be familiar with the area before you plow.
- Be aware of immovable objects that could be hidden in the area you are plowing.
- To avoid damage when pushing snow into a pile, reverse direction before raising the plow blade.
- Do not ram the plow blade into piles of snow.
- For best results, set the suspension preload of your ATV/ UTV to the stiffest setting.
- To reduce steering effort and increase mobility, set the air pressure of your tires to the maximum pressure specification.
- The plow skids are adjustable. General skid setting is even with the plow wear bar bottom edge, higher settings reduce the chance of rocks and gravel from being collected.
- To increase traction during plow operation, operators can try: Securing weight to the ATV/ UTV for additional tire downforce, reducing tire air pressure, or installing tire chains.

SAFETY INFORMATION

Our plow systems were designed with your safety in mind. Please read and understand all Cautions, Notices and Warnings in this manual before you begin. In order to protect you and your ATV, certain parts of the plow system and/or hardware are designed to fail when the equipment is over-stressed.

| |
|--|
|  WARNING  |
| TO AVOID SERIOUS INJURY OR DEATH: |
| 1. DO NOT EXCEED 5 MPH (8 KMH) WITH BLADE INSTALLED |
| 2. OPERATE WITH EXTREME CAUTION ON SLOPES, STEEP GRADES, AND ROUGH TERRAIN |
| 3. ALLOW NO RIDERS ON BLADE OR ATV WHILE MOVING OR STATIONARY |
| 4. KEEP BYSTANDERS AWAY FROM THE BLADE OR ATV WHILE MOVING OR STATIONARY |
| 5. WHEN PUSHING HEAVY MATERIAL, DIRECTION CONTROL MAY BECOME DIFFICULT |
| 6. BEFORE ADJUSTING BLADE: STOP ATV ENGINE; SET AND LOCK BRAKES; RAISE AND LOCK BLADE |
| 7. LOWER BLADE TO DOWN POSITION WHEN BLADE AND ATV ARE NOT IN USE |
| 8. READ BLADE INSTRUCTION SHEETS AND ATV OWNER'S MANUAL |

31-2060 / 31-2072 / 31-2084 Kit Contents:



31-2060 / 31-2072 / 31-2084 Kit Contents (continued):

| Item | Qty | Part Description | Part Number |
|------|-----|---|--------------|
| 1 | 1 | 60" Rear Angle Blade Support | - |
| 1 | 1 | 72" Rear Angle Blade Support | - |
| 1 | 1 | 84" Rear Angle Blade Support | - |
| 2 | 1 | 60" Plastic Moldboard Blade | 31-2060-CP01 |
| 2 | 1 | 72" Plastic Moldboard Blade | 31-2072-CP01 |
| 2 | 1 | 84" Plastic Moldboard Blade | 31-2084-CP01 |
| 3 | 1 | 60" Wear Bar, Double Sided | 31-2160 |
| 3 | 1 | 72" Wear Bar, Double Sided | 31-2172 |
| 3 | 1 | 84" Wear Bar, Double Sided | 31-2184 |
| 4 | 4 | Carriage Bolt, Zinc Plated, M10-1.50 X 30mm LG | - |
| 5 | 6 | Hex Flange Lock Nut, Zinc Plated, M10-1.50 | - |
| 6 | 13 | (60" kit) Carriage Bolt, Zinc Plated, M8-1.25 X 30mm LG | - |
| 6 | 15 | (72" kit) Carriage Bolt, Zinc Plated, M8-1.25 X 30mm LG | - |
| 6 | 17 | (84" kit) Carriage Bolt, Zinc Plated, M8-1.25 X 30mm LG | - |
| 7 | 13 | (60" kit) Hex Flange Lock Nut, Zinc Plated, M8-1.25 | - |
| 7 | 15 | (72" kit) Hex Flange Lock Nut, Zinc Plated, M8-1.25 | - |
| 7 | 17 | (84" kit) Hex Flange Lock Nut, Zinc Plated, M8-1.25 | - |
| 8 | 2 | Button Head Cap Screw, Zinc Plated, M10-1.5 X 30mm LG | - |
| 9 | 2 | Fender Washer, Zinc Plated, M10 | - |
| 10 | 1 | Top Warning Decal | 31-2072-CP03 |
| 11 | 1 | Vertical Rib Blade Support, LH | - |
| 12 | 1 | Vertical Rib Blade Support, RH | - |
| 13 | 2 | Skid Bracket | - |
| 14 | 2 | Skid Shoe | PUR1467 |
| 15 | 4 | Spacer | - |
| 16 | 10 | Flat Washer, Zinc Plated, M18 | - |
| 17 | 2 | Lynch Quick Pin, Zinc Plated, 4.76mm Dia x 38mm LG | PUR1359 |
| 18 | 1 | Instruction Guide (not shown) | - |

BEFORE YOU BEGIN:

- Your Kolpin accessory is exclusively designed for your vehicle.
- Please read and understand all instructions.
- Verify all parts and tools are accounted for.
- To ensure a satisfactory installation, follow all steps correctly and in the sequence described.
- Keep these instructions for future reference or for informational requests.
- To facilitate installation, make sure that your vehicle is clean and free of debris.
- All directions referring to right and left are when the rider is sitting on the machine.

TOOLS REQUIRED:

- Basic Metric Wrench and Socket Set
- Torque Wrench

APPROXIMATE ASSEMBLY TIME: 15 minutes

Note: If any hardware is missing, do not return to the store. Call us to help, Toll Free 1-877-956-5746.

SPARE KIT INFORMATION:

| SPARE KITS | | Wear bar kit P/N 31-2160 / 31-2172 / 31- 2184 | Skid shoe kit P/N 31-2155 | Hardware kit P/N 31-2073 | Wear bar bolt kit P/N 12-0010 |
|------------|---|--|------------------------------|-----------------------------|-------------------------------------|
| Item | Description | | | | |
| 3 | Wear Bar, Double Sided | 1x / 1x / 1x | | | |
| 4 | Carriage Bolt, Zinc Plated, M10-1.50 X 30mm LG | | | 4x | |
| 5 | Hex Flange Lock Nut, Zinc Plated, M10-1.50 | | | 6x | |
| 6 | Carriage Bolt, Zinc Plated, M8-1.25 X 30mm LG | 9x / 11x / 13x | | 15x | 11x |
| 7 | Hex Flange Lock Nut, Zinc Plated, M8-1.25 | 9x / 11x / 13x | | 15x | 11x |
| 8 | Button Head Cap Screw, Zinc Plated, M10-1.5 X 30mm LG | | | 2x | |
| 9 | Fender Washer, Zinc Plated, M10 | | | 2x | |
| 14 | Skid Shoe | | 2x | | |
| 15 | Spacer | | 4x | 4x | |
| 16 | Flat Washer, M18 | | 10x | 10x | |
| 17 | Lynch Quick Pin, Zinc Plated, 4.76mm Dia x 38mm LG | | 2x | 2x | |

Spare Kit Notes:

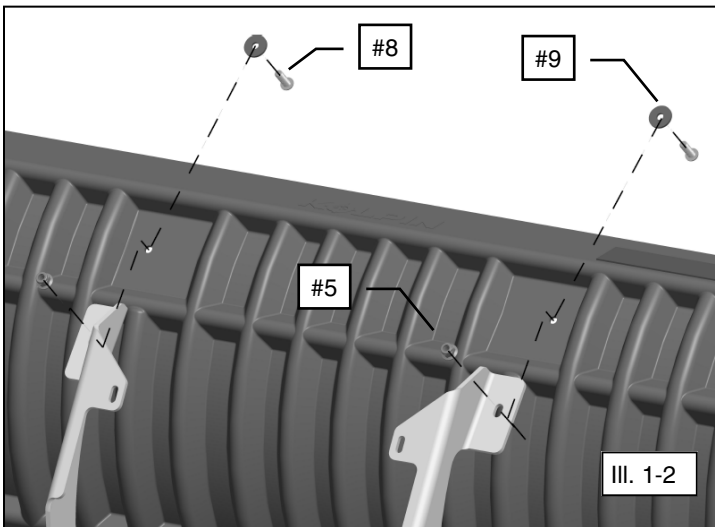
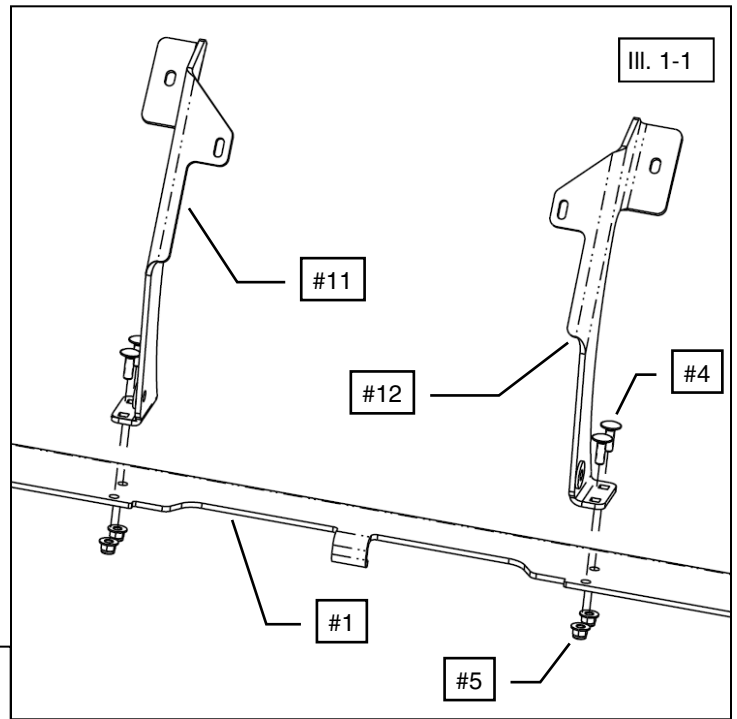
- Spare kits may contain extra hardware that is used for other mount kits. Extra hardware can be discarded.

USE AND CARE INFORMATION:

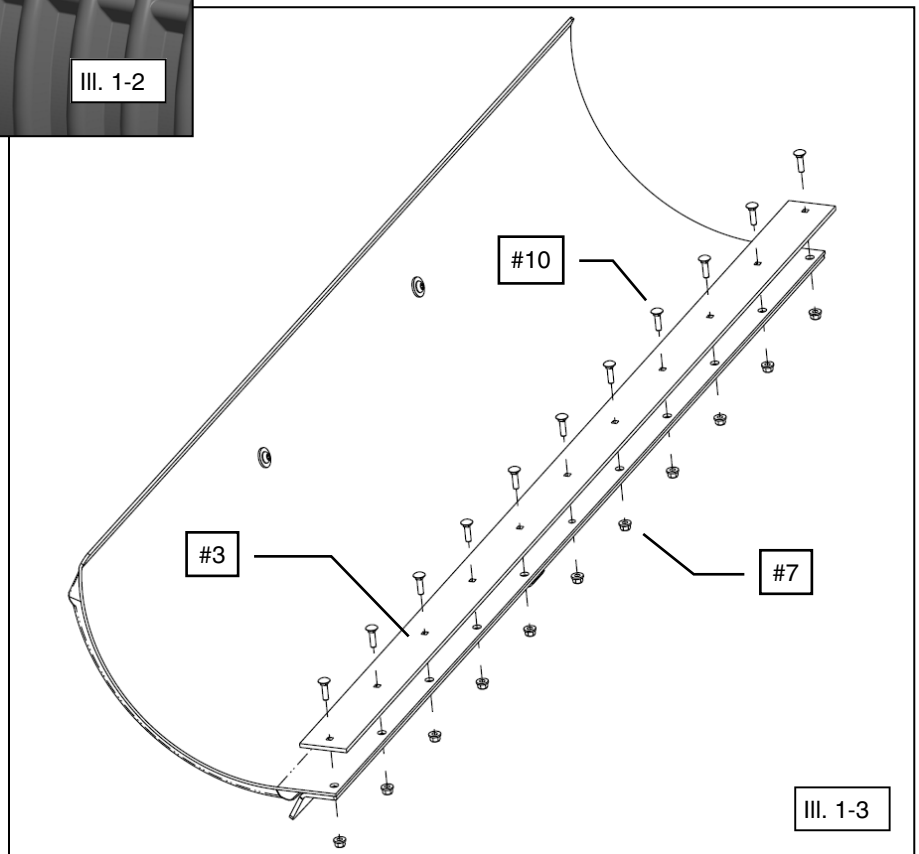
Note: The wear bar cutting edge is double-sided, so when bottom side wears thin, flip the bar over and use the top side for extended cutting edge life.

ASSEMBLY INSTRUCTIONS:

1. Attach vertical rib blade supports (items #11 and #12) to the rear angle blade support (item #1) as shown. Use M10 carriage screws (item #4) and fasten with M10 locknut (item #5). (See illustration 1-1). **Note, do not fully tighten at this time.**
2. Attach the assembled support to the moldboard blade (item #2) at the upper locations using fender washers (item #9) and M10 button cap screws (item #8) as shown. Fasten using M10 locknuts (item #5). **Note, do not fully tighten at this time.**




3. Place the blade assembly on its back and attach the wear bar (item #3) to the blade and support assembly using the M8 carriage bolts (item #10) as shown. Fasten using M8 locknuts (item #7). (See illustration 1-3). **Note, start with the middle wear bar hole first. The middle hole in the plastic moldboard is smaller to help index/center the blade.**
4. Torque M8 fasteners to specification.




| |
|--|
| |
| 8MM FASTENER TORQUE: 17 ft. lbs. (23 Nm) |

ASSEMBLY INSTRUCTIONS (continued):

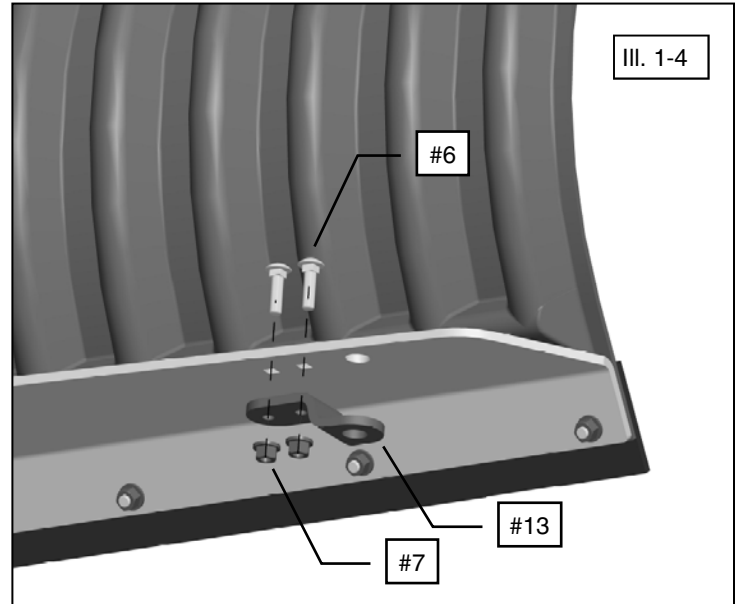
5. Torque the lower vertical support rib fasteners (items #4 and #5) to specification below.

| |
|---|
|  = T |
| LOWER SUPPORT RIB FASTENER TORQUE: 30 ft. lbs. (41 Nm) |


6. Torque the lower vertical support rib fasteners (items #8 and #5) to specification below.

| |
|---|
|  = T |
| UPPER SUPPORT RIB FASTENER TORQUE: 17 ft. lbs. (23 Nm) |

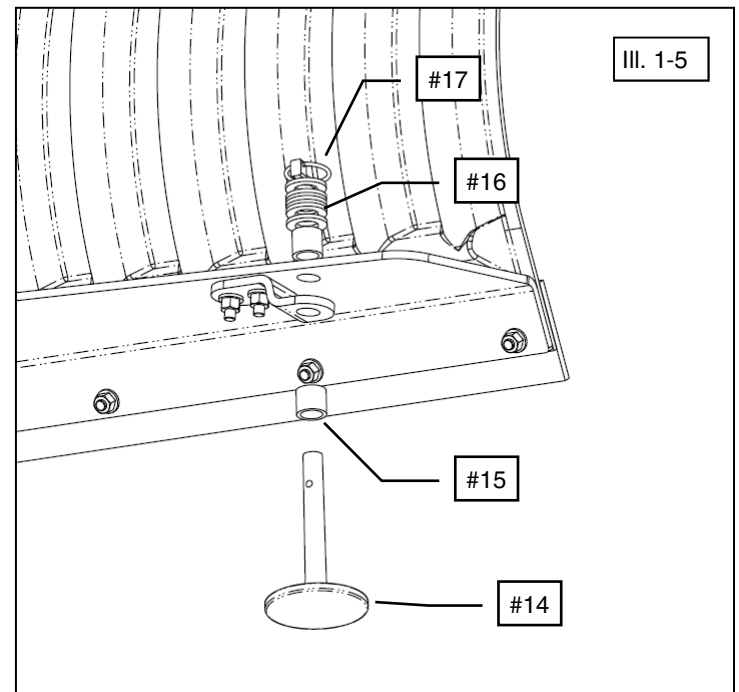
7. Attached skid brackets (item #13) to each end of the rear angle support (item #1) using M8 carriage screws (item #6) as shown. Fasten using M8 locknuts (item #7). (See illustration 1-4).



8. Torque to M8 specification.

| |
|---|
|  = T |
| 8MM FASTENER TORQUE: 17 ft. lbs. (23 Nm) |

9. Assemble and install skid components (items #14, #15 and #16) as shown. Fasten using quick pins (items #17). (See illustration 1-5). **Note, initial setting of skid height depends on the terrain. Set the skids even with the wear bar cutting edge for level surfaces such as concrete or asphalt. For irregular surfaces, lower the skids to raise the wear bar cutting edge.**





Two Year Limited Warranty

For the period of two (2) years from the purchase date, Kolpin will replace for the original purchaser, free of charge, any part or parts found upon examination by Kolpin to be defective in material, workmanship, or both.

All transportation costs incurred submitting product to Kolpin for warranty consideration must be borne by the purchaser. If Kolpin determines that the product must be returned to the factory for credit, please call 1-877-956-5746 for a Return Merchandise Authorization (RMA) number and shipping instructions.

This warranty does not apply to parts that have been damaged by accident, alteration, abuse, improper maintenance, normal wear, or other causes beyond the manufacturer's control. In order to protect you and your ATV, certain parts of the plow system and/or hardware are designed to fail when the equipment is over-stressed. Parts that are lost due to loosening and improper maintenance are not covered under warranty. This warranty does not cover removal or reinstallation labor fees of the plow system and related components.

Peripheral products such as engines, electric motors, and actuators may carry an original manufacturer's warranty. Most hardware is general in nature and is easily obtained locally. Be sure to replace with minimum metric class 8.8 specification.

Kolpin Outdoors, Inc.

Telephone: (763)-478-5800

Toll Free: (877)-956-5746

Fax Number: (800)-245-7569

www.kolpin.com

Email: customerservice@kolpin.com